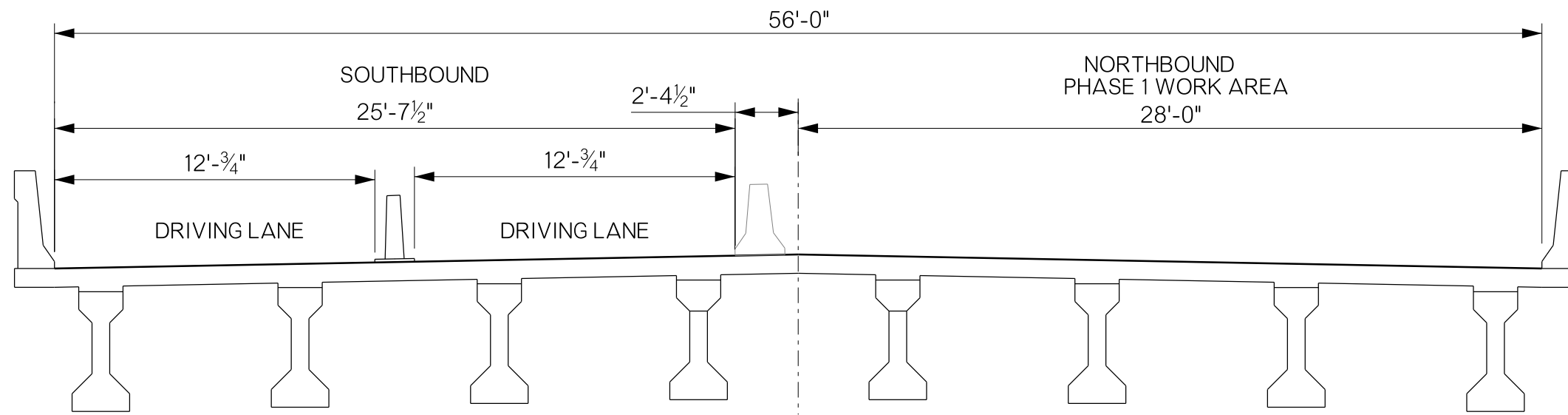
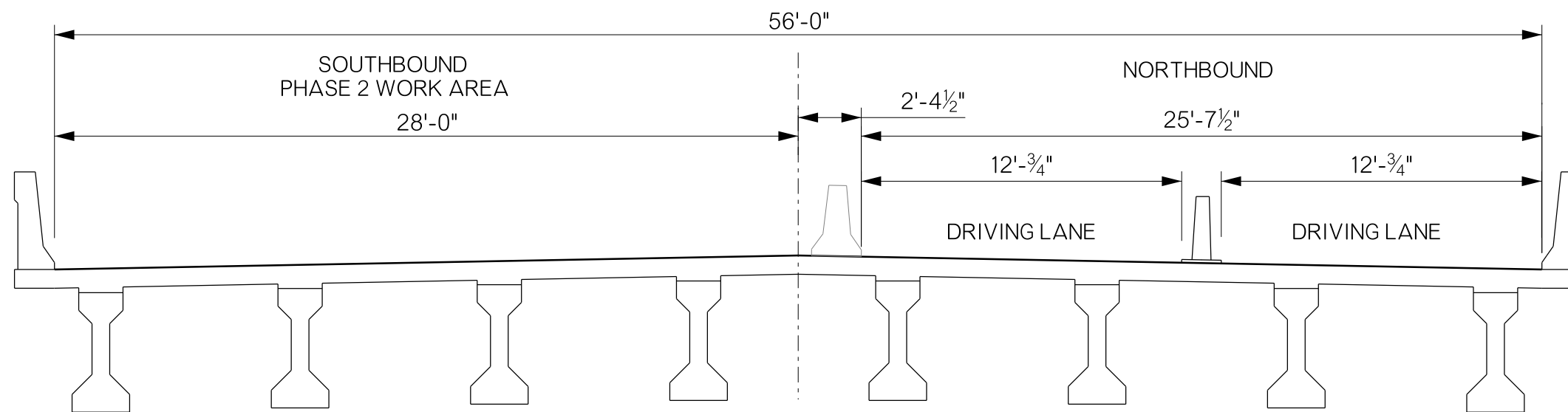


REVISIONS		
REV. NO.	DESCRIPTION	DATE



PHASE 1



PHASE 2

BRIDGE 'A' & 'B' US 64 OVER ARKANSAS RIVER	TULSA COUNTY	Design	N/A	N/A
BRIDGE A & B PHASING		Detail	RWM	05/16
		Check	KMS	07/16
		Squad	MAYFIELD	
		Engr.	ELYAZGI	
STATE OF OKLAHOMA	DEPARTMENT OF TRANSPORTATION	JOB/PIECE NO. 31944(04)	SHEET NO. B004	